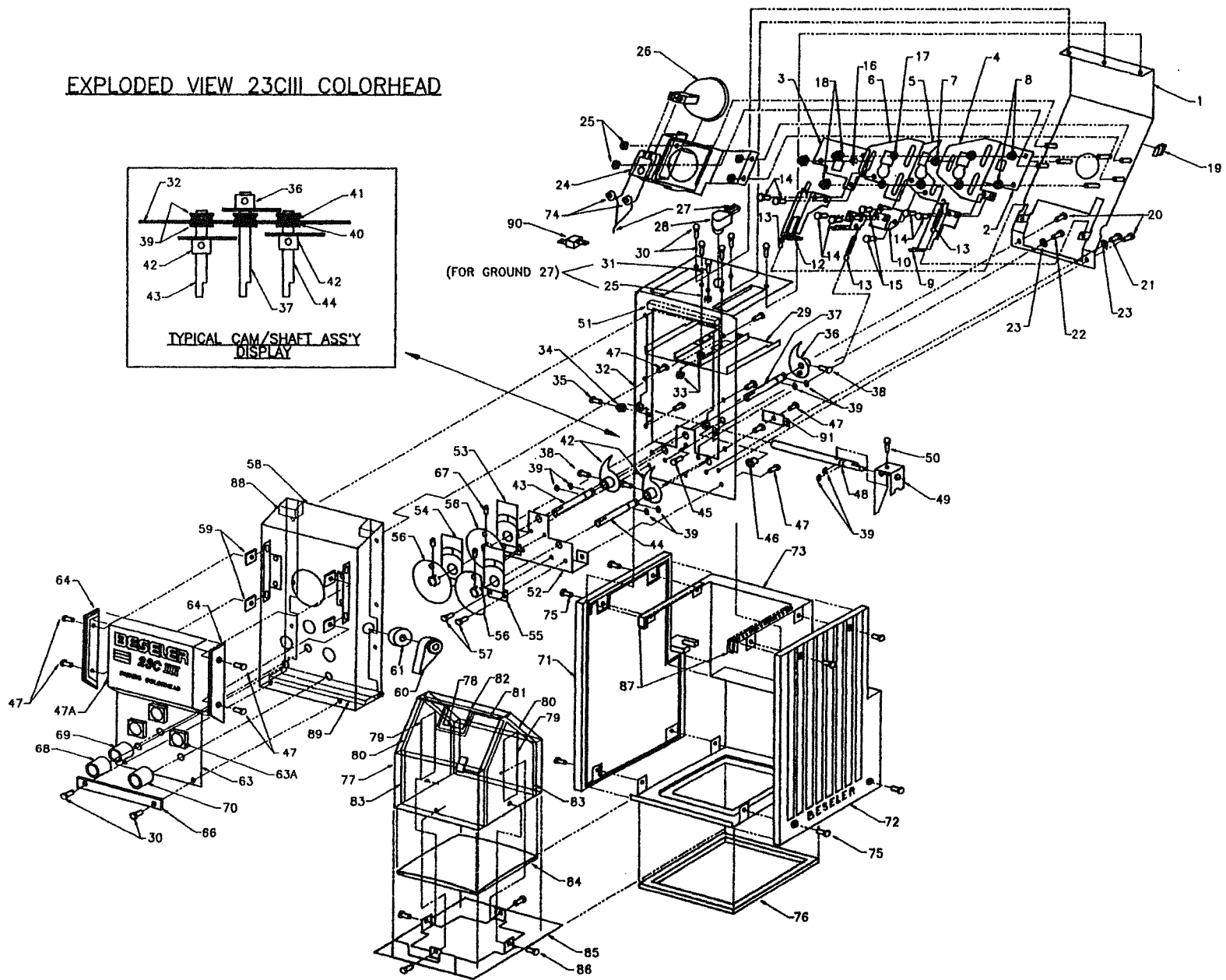
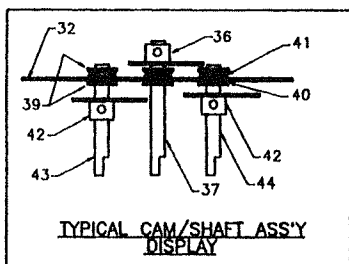


# EXPLODED VIEW 23CIII COLORHEAD



## 23C III-XL COLORHEAD REPLACEMENT PARTS LIST

REF. NO.	DESCRIPTION	PART/CAT. NO.	REF. NO.	DESCRIPTION	PART/CAT. NO.	REF. NO.	DESCRIPTION	PART/CAT. NO.
1	Rear Chassis Plate	10-42627	32	Front Chassis Plate	10-51622	60	White Light Handle	568-32-08
2	Bottom Aperture Plate	10-42661-01	33	Keps Nut 4-40	546-55-02	61	Light Trap Actuator Cushion	10-42705
3	Top Aperture Plate	10-42661-02	34	Plain Nut 4-40	545-15-20-01	63	Front Plate	10-51614
4	Bottom Blade (Cyan) Assembly	10-42624	35	Machine Screw 4-40x <sup>3</sup> / <sub>8</sub> Fill.	515-12-11-40	63A	Bezel	10-42729
5	Center Blade (Magenta) Assembly	10-42623	36	Center Cam	10-42711-02	64	Side Panel	10-42653
6	Top Blade (Yellow) Assembly	10-42622	37	Center Cam Shaft	10-42665	66	Front Plate Bar	10-42689
7	Blade Spacer	10-42658	38	Sems Screw 4-40x <sup>1</sup> / <sub>4</sub> Pan Slot	540-60-27	67	Set Screw 4-40x <sup>3</sup> / <sub>32</sub> Oval	540-20-62
8	Blade Guide Spacer	10-42657	38A	Clip, Holddown	10-42736	68	Dial Knob (Yellow)	568-01-83
9	Bottom Blade Follower	10-42667	39	Retaining Ring "E" Type <sup>1</sup> / <sub>4</sub>	555-26-10	69	Dial Knob (Magenta)	568-01-84
10	Center Blade Adapter	10-42687	40	Flat Washer #14x <sup>1</sup> / <sub>2</sub>	548-32-07	70	Dial Knob (Cyan)	568-01-85
11	Center Blade Follower	10-42686	41	Bow Washer <sup>17</sup> / <sub>64</sub> ID	549-20-34	71	Lamphouse Side (Left)	10-42091-01
12	Top Blade Follower	10-42666	42	Side Cam	10-42711-01	72	Lamphouse Side (Right)	10-42091-02
13	Filter Blade Spring	10-35755	43	Left Cam Shaft	10-42664-01	73	Lamphouse Wraparound Assembly	10-54647
14	Machine Screw 2-56x <sup>3</sup> / <sub>32</sub> Pan	509-03-01-01	44	Right Cam Shaft	10-42664-02	74	Wire Connector	600-25-22
15	Machine Screw 2-56x <sup>1</sup> / <sub>8</sub> Flat	509-04-90-01	45	Sems Screw 4-40x <sup>1</sup> / <sub>4</sub> Pan	540-60-47	75	Tap Screw #6Bx <sup>9</sup> / <sub>16</sub> Pan	538-19-10-12
16	Flat Washer #6x <sup>3</sup> / <sub>8</sub>	548-18-07	46	Bullet Catch <sup>1</sup> / <sub>4</sub> Dia.	570-10-17	76	Lamphouse Cushion	10-42124
17	Flat Washer #6x <sup>1</sup> / <sub>2</sub>	548-18-18	47	Tap Screw #4Bx <sup>3</sup> / <sub>8</sub> Pan	538-13-12-30	77	Mix Chamber	10-42614-20
18	Locknut 6-32	546-57-06	47A	Nameplate	10-54665	78	Heat Filter	10-42685
19	Wire Clip	555-40-08	48	White Light Shaft	10-42681	79	Tape (Both Ends)	10-42713
20	Sems Screw 6-32	540-60-48	49	White Light Actuator Lever	10-42676	80	Liner (Both Ends)	10-51624-01, -02
21	Machine Screw 4-40x <sup>7</sup> / <sub>16</sub> Pan	515-14-02-01	50	Cap Screw 4-40x <sup>1</sup> / <sub>2</sub> Pan	515-16-53-01	81	Liner (Filter Side/Top)	10-42678-01
22	Machine Screw 4-40x <sup>5</sup> / <sub>16</sub> Pan	515-10-02-01	51	Light Trap Top Cushion	10-42706	82	Liner (Side/Top)	10-42678-02
23	Lockwasher #4	549-47-02	52	Shaft Support Bracket	10-42654	83	Liner (Both Sides/Bottom)	10-42678-03
24	Lamp Holder/Bracket	10-46183-91	53	Index Holder (Magenta)	10-42617	84	Diffuser	10-51626
25	Keps Nut 4-40	546-55-04	54	Index Holder (Yellow)	10-42618	85	Bottom Plate	10-51625
26	Enlarger Lamp 85W/82V	Cat. #6728	55	Index Holder (Cyan)	10-42619	86	Tap Screw #4Bx <sup>1</sup> / <sub>4</sub> Pan	538-13-06-32
27	Power Cord	10-46186	56	Dial	10-42634	87	Light Trap Frame Cushion	10-42716
28	Power Cord Bushing	600-82-28	57	Sems Screw 2-56x <sup>1</sup> / <sub>8</sub> Pan	540-60-55	88	Corner Cushion	10-42704
29	Light Trap	10-42672	58	Front Cover	10-42638	89	Bottom Cushion	10-42707
30	Machine Screw 4-40x <sup>1</sup> / <sub>4</sub> Pan	515-08-02-06	59	Speed Nut "U" Type #4B	555-05-23	90	Rectifier	635-70-22
31	Machine Screw 6-32x <sup>1</sup> / <sub>4</sub> Pan	519-08-02-01						