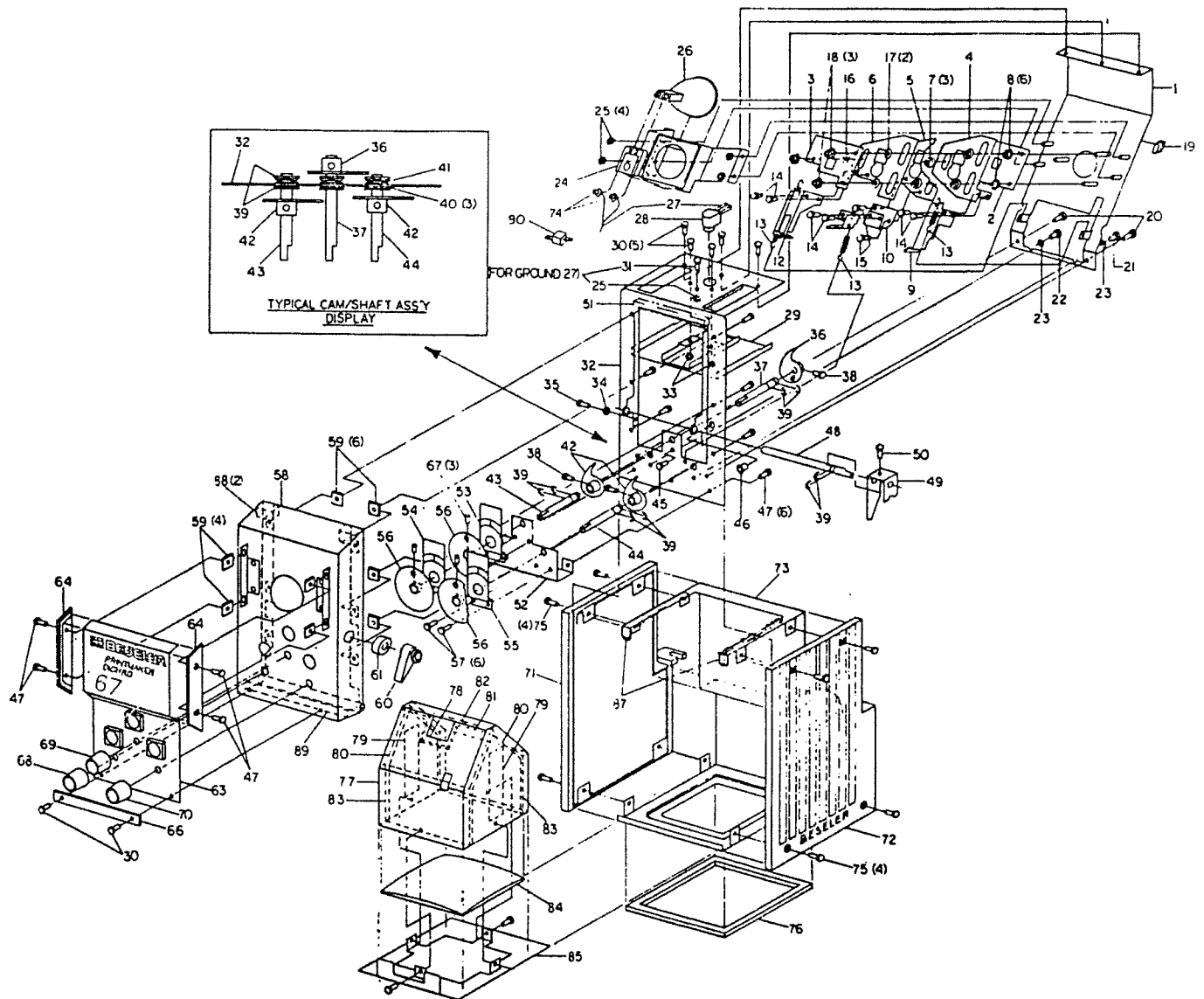


DICHO 67 COLORHEAD EXPLODED VIEW



DICHRO 67S COLORHEAD REPLACEMENT PARTS LIST

REF. NO.	DESCRIPTION	PART NO.	REF. NO.	DESCRIPTION	PART NO.
1	Rear Chassis Plate	10-42627	48	White Light Shaft	10-42681
2	Bottom Aperture Plate	10-42661-01	49	White Light Actuator Lever	10-42676
3	Top Aperture Plate	10-42661-02	50	Cap Screw 4-40 x 1/2 Pan	515-16-53-01
4	Bottom Blade (Cyan) Assy.	10-42624	51	Light Trap Top Cushion	10-42706
5	Center Blade (Magenta) Assy.	10-42623	52	Shaft Support Bracket	10-42654
6	Top Blade (Yellow) Assy.	10-42622	53	Index Holder (Magenta)	10-42617
7	Blade Spacer	10-42658	54	Index Holder (Yellow)	10-42618
8	Blade Guide Spacer	10-42657	55	Index Holder (Cyan)	10-42619
9	Bottom Blade Follower	10-42667	56	Dial	10-42634
10	Center Blade Adapter	10-42687	57	Sems Screw 2-56 x 1/8 Pan	540-60-55
11	Center Blade Follower	10-42686	58	Front Cover	10-42638
12	Top Blade Follower	10-42666	59	Speed Nut "U" Type #4B	555-05-23
13	Filter Blade Spring	10-35755	60	White Light Handle	568-32-08
14	Mach. Screw - 2-56 x 3/32 Pan	509-03-01-01	61	Light Trap Actuator Cushion	10-42702
15	Mach. Screw - 2/56 x 1/8 Flat	509-04-01-01	63	Front Plate	10-42639
16	Flat Washer #6 x 3/8	548-18-07	64	Side Panel	10-42653
17	Flat Washer #6 x 1/2	548-18-18	66	Front Plate Bar	10-42689
18	Locknut 6-32	546-57-07	67	Set Screw 4-40 x 3/32 Oval	540-20-62
19	Wire Clip	555-40-08	68	Dial Knob (Yellow)	568-01-83
20	Sems Screw 6-32	540-60-48	69	Dial Knob (Magenta)	568-01-84
21	Mach. Screw - 4-40 x 7/16 Pan	515-14-02-01	70	Dial Knob (Cyan)	568-01-85
22	Mach. Screw - 4-40 x 5/16 Pan	515-10-02-01	71	Lamphouse Side (Left)	10-42091-01
23	Lockwasher #4	549-47-02	72	Lamphouse Side (Right)	10-42091-02
24	Lamp Holder/Bracket	10-46183-91	73	Lamphouse Wraparound	10-42092-03
25	Keps Nut 4-40	546-55-04	74	Wire Connector	600-25-22
26	Enlarger Lamp 85W/82V	Cat. #6728	75	Tap Screw #6B x 6/16 Pan	538-19-10-12
27	Power Cord	10-46186	76	Lamphouse Cushion	10-42124
28	Power Cord Bushing	600-82-28	77	Mix Chamber	10-42620
29	Light Trap	10-42672	78	Heat Filter	10-42685
30	Mach. Screw 4-40 x 1/4 Pan	515-08-02-06	79	Tape (Both Ends)	10-42713
31	Mach. Screw 4-40 x 1/4 Pan	515-08-02-01	80	Liner (Both Ends)	10-42678-04
32	Front Chassis Plate	10-42650	80A	Liner/Reflector (Ends-35)	10-42742/10-42744
33	Keps Nut 4-40	546-55-02	81	Liner (Filter Side/Top)	10-42678-01
34	Plain Nut 4-40	545-15-20-01	82	Liner (Side/Top)	10-42678-02
35	Mach. Screw 4-40 x 3/8 Fill.	515-12-11-40	82A	Liner/Reflector (Front-35)	10-42741/10-42745
36	Center Cam	10-42711-02	83	Liner (Both Sides/Bottom)	10-42678-03
37	Center Cam Shaft	10-42665	83A	Liner/Reflector (Rear-35)	10-42743/10-42745
38	Sems Screw 4-40 x 1/4 Pan Slot	540-60-27	84	Diffusor	10-42652
39	Retaining Ring "E" Type 14	555-26-10	84A	Diffusor (35)	10-35889
40	Flat Washer #14 x 1/2	548-32-07	85	Bottom Plate	10-42669
41	Bow Washer 17/64 I.D.	549-20-34	85A	Bottom Plate (35)	10-42669
42	Side Cam	10-42711-01	86	Tap Screw #4B x 1/4 Pan	538-13-08-32
43	Left Cam Shaft	10-42664-01	87	Light Trap Frame Cushion	10-42716
44	Right Cam Shaft	10-42664-02	88	Corner Cushion	10-42704
45	Sems Screw 4-40 x 1/4 Pan	540-60-47	89	Bottom Cushion	10-42707
46	Bullet Catch 1/4 Dia.	570-10-17	90	Rectifier	635-70-22
47	Tap Screw #4B x 3/8 Pan	538-13-12-30	91	Chamber Retaining Clip	10-47825